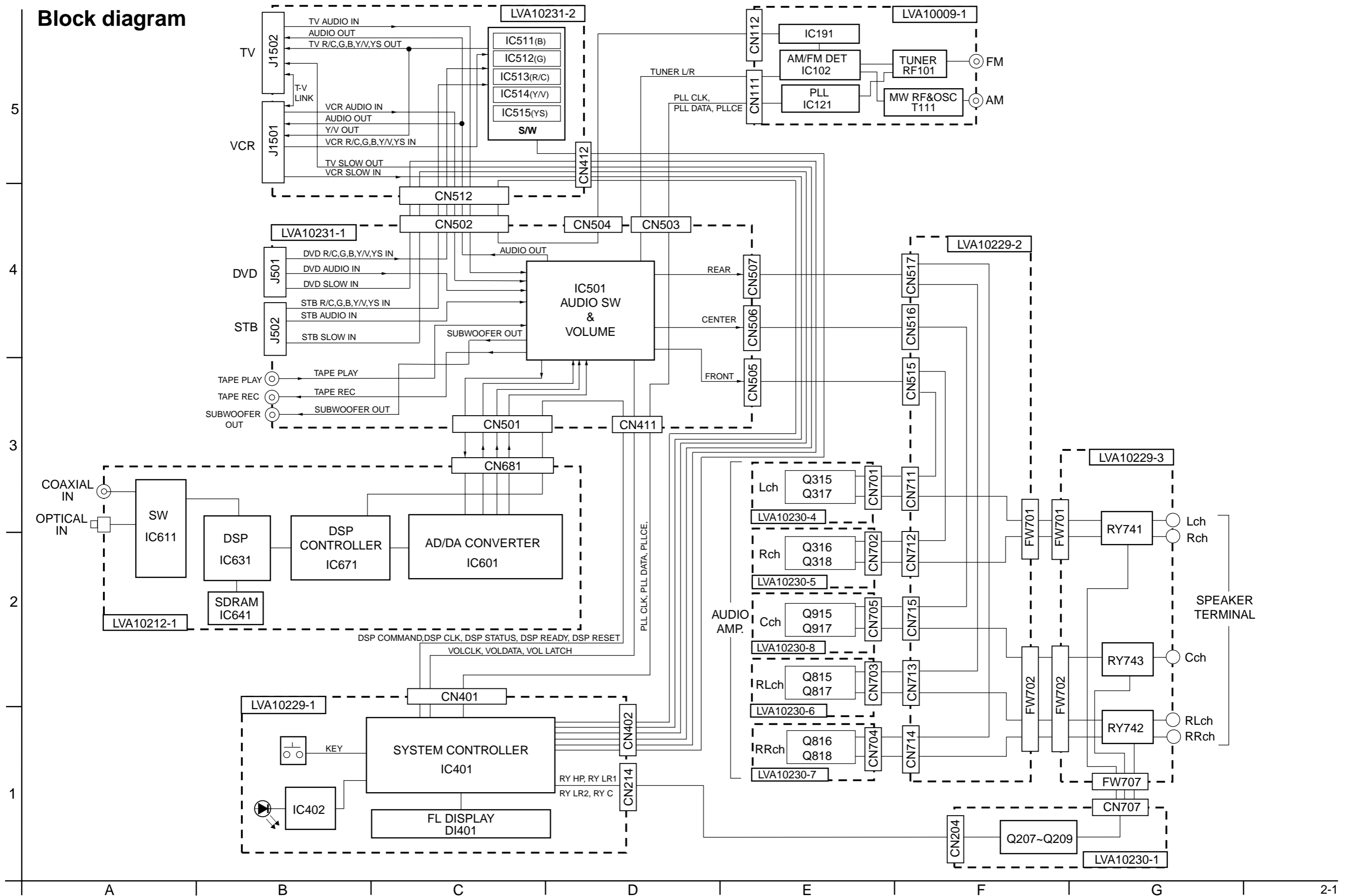


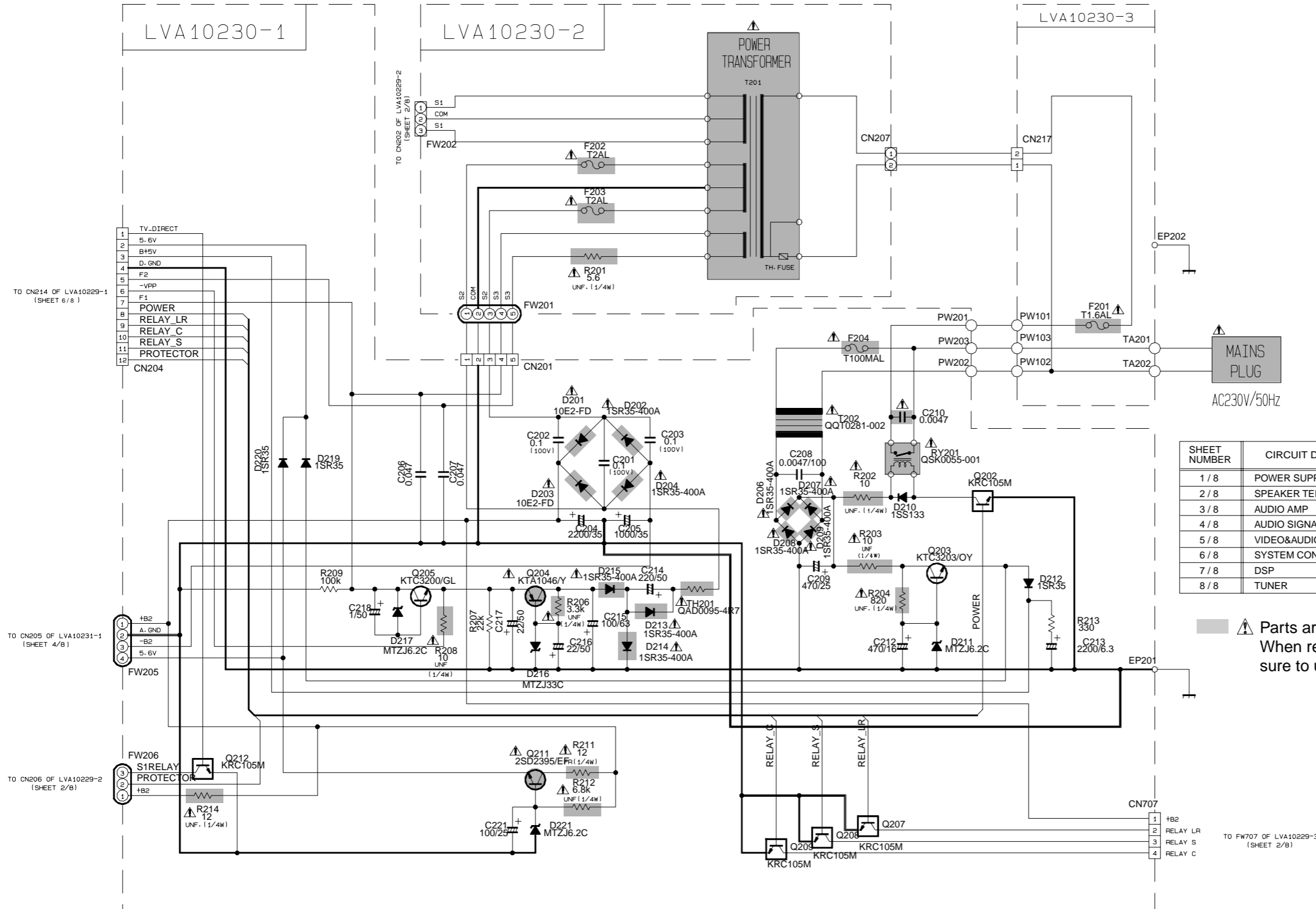
Block diagram



Standard schematic diagrams

Power supply section

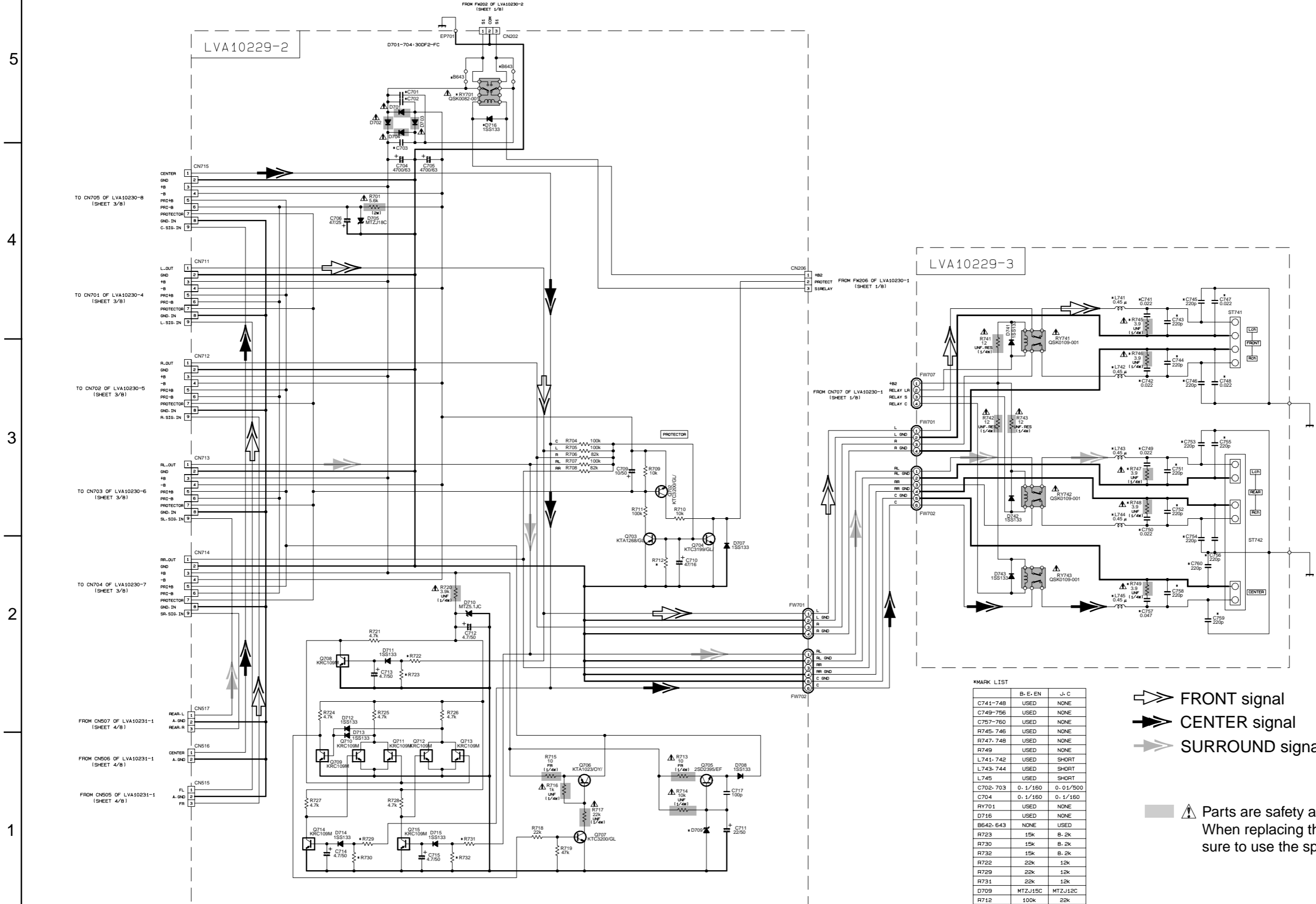
B/E/EN



SHEET NUMBER	CIRCUIT DESCRIPTION
1 / 8	POWER SUPPLY
2 / 8	SPEAKER TERMINAL
3 / 8	AUDIO AMP
4 / 8	AUDIO SIGNAL INPUT TERMINAL
5 / 8	VIDEO&AUDIO SIGNAL INPUT TERMINAL
6 / 8	SYSTEM CONTROL & FL DISPLAY
7 / 8	DSP
8 / 8	TUNER

Parts are safety assurance parts. When replacing those parts make sure to use the specified.

Speaker terminal section



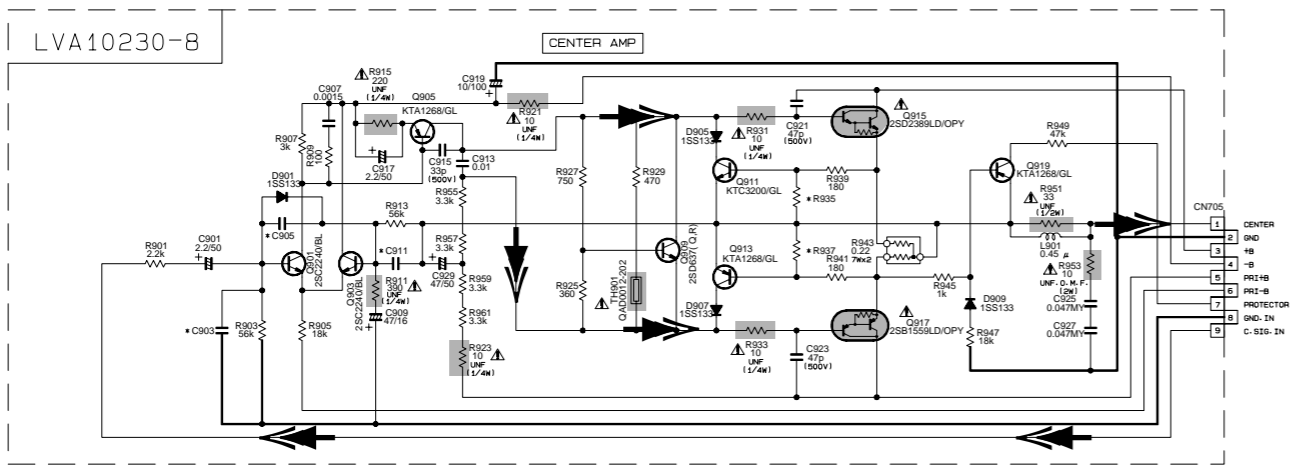
*MARK LIST

Part No.	Spec	QTY	QTY
C741-748	B-E-EN	USED	NONE
C749-756	USED	NONE	
C757-760	USED	NONE	
R745, 746	USED	NONE	
R747, 748	USED	NONE	
R749	USED	NONE	
L741, 742	USED	SHORT	
L743, 744	USED	SHORT	
L745	USED	SHORT	
C702, 703	0.1/160	0.01/500	
C704	0.1/160	0.1/160	
RY701	USED	NONE	
D716	USED	NONE	
B642, 643	NONE	USED	
R723	15k	B, 2k	
R730	15k	B, 2k	
R732	15k	B, 2k	
R722	22k	12k	
R729	22k	12k	
R731	22k	12k	
D709	MTZJ15C	MTZJ12C	
R712	100k	22k	

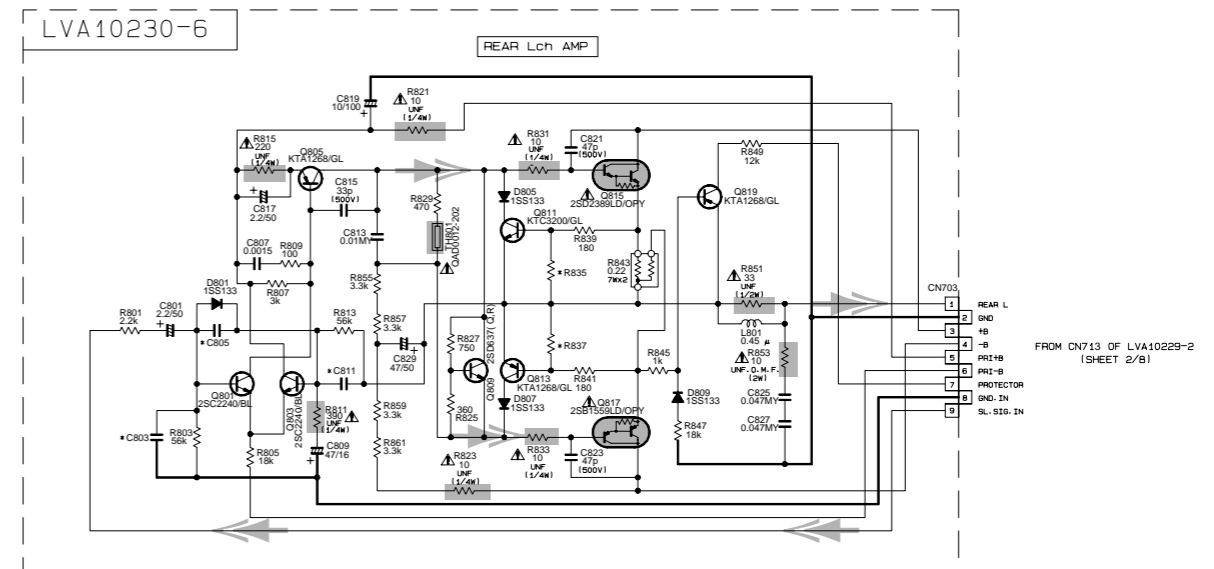
- FRONT signal
- CENTER signal
- SURROUND signal

Parts are safety assurance parts. When replacing those parts make sure to use the specified.

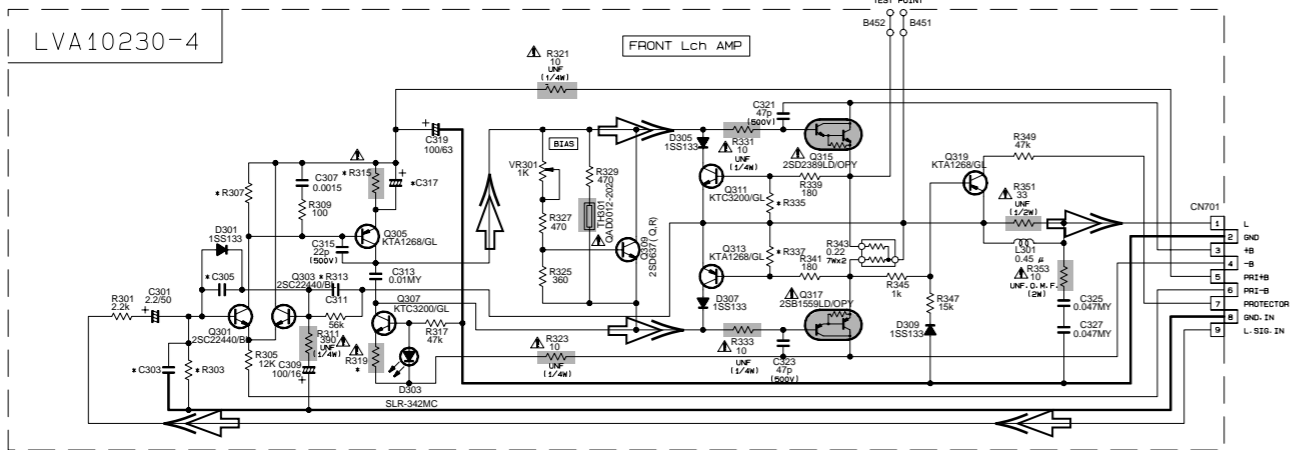
Audio amp section



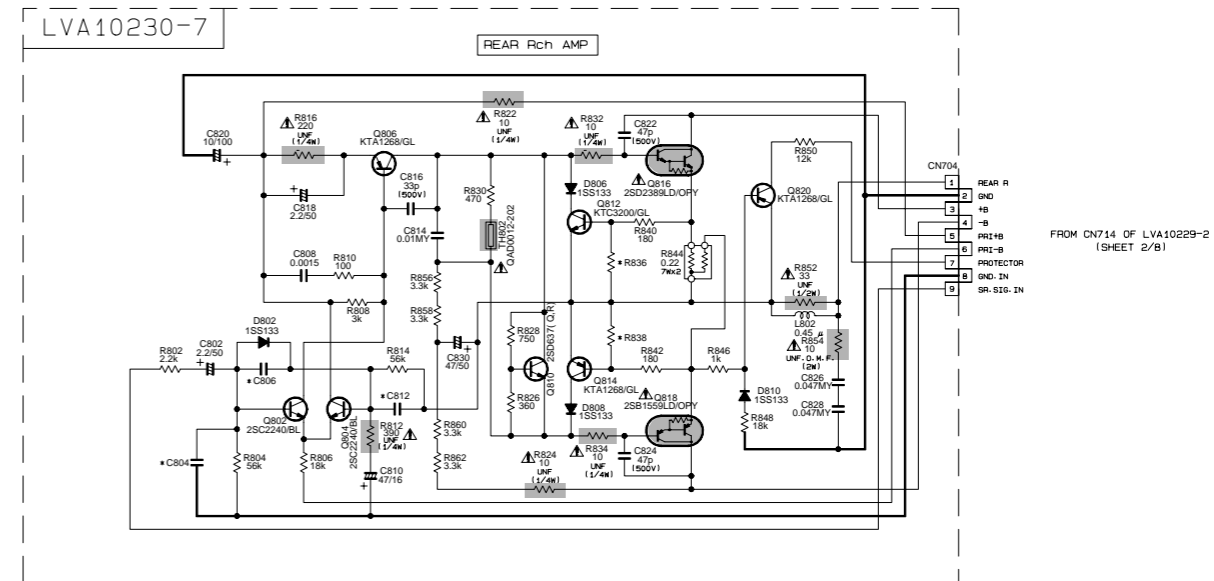
FROM CN715 OF LVA10229-2 (SHEET 2/B)



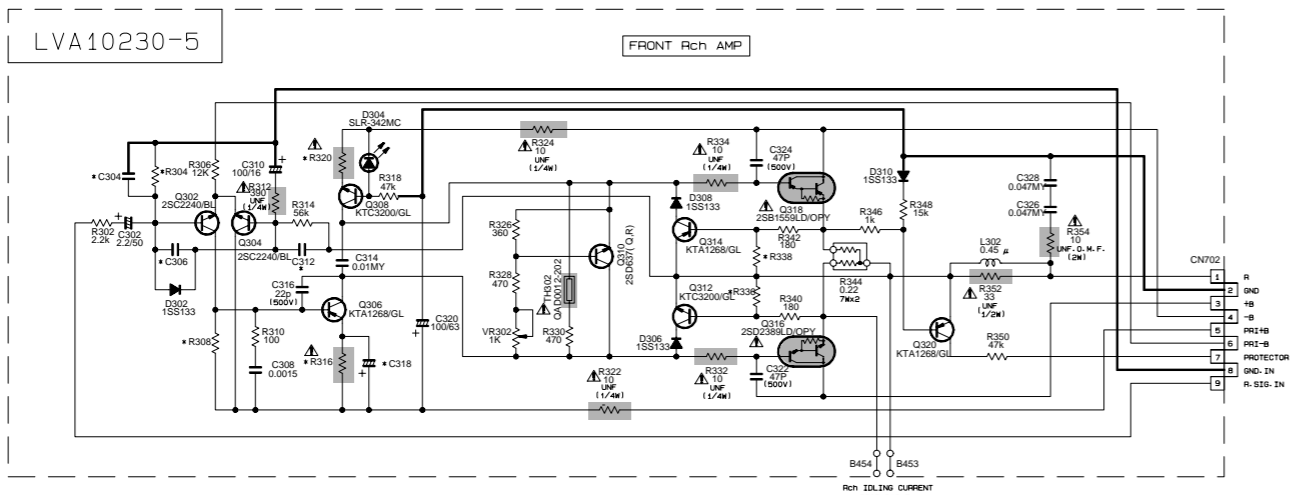
FROM CN713 OF LVA10229-2 (SHEET 2/B)



FROM CN711 OF LVA10229-2 (SHEET 2/B)



FROM CN714 OF LVA10229-2 (SHEET 2/B)



FROM CN712 OF LVA10229-2 (SHEET 2/B)

*MARK LIST

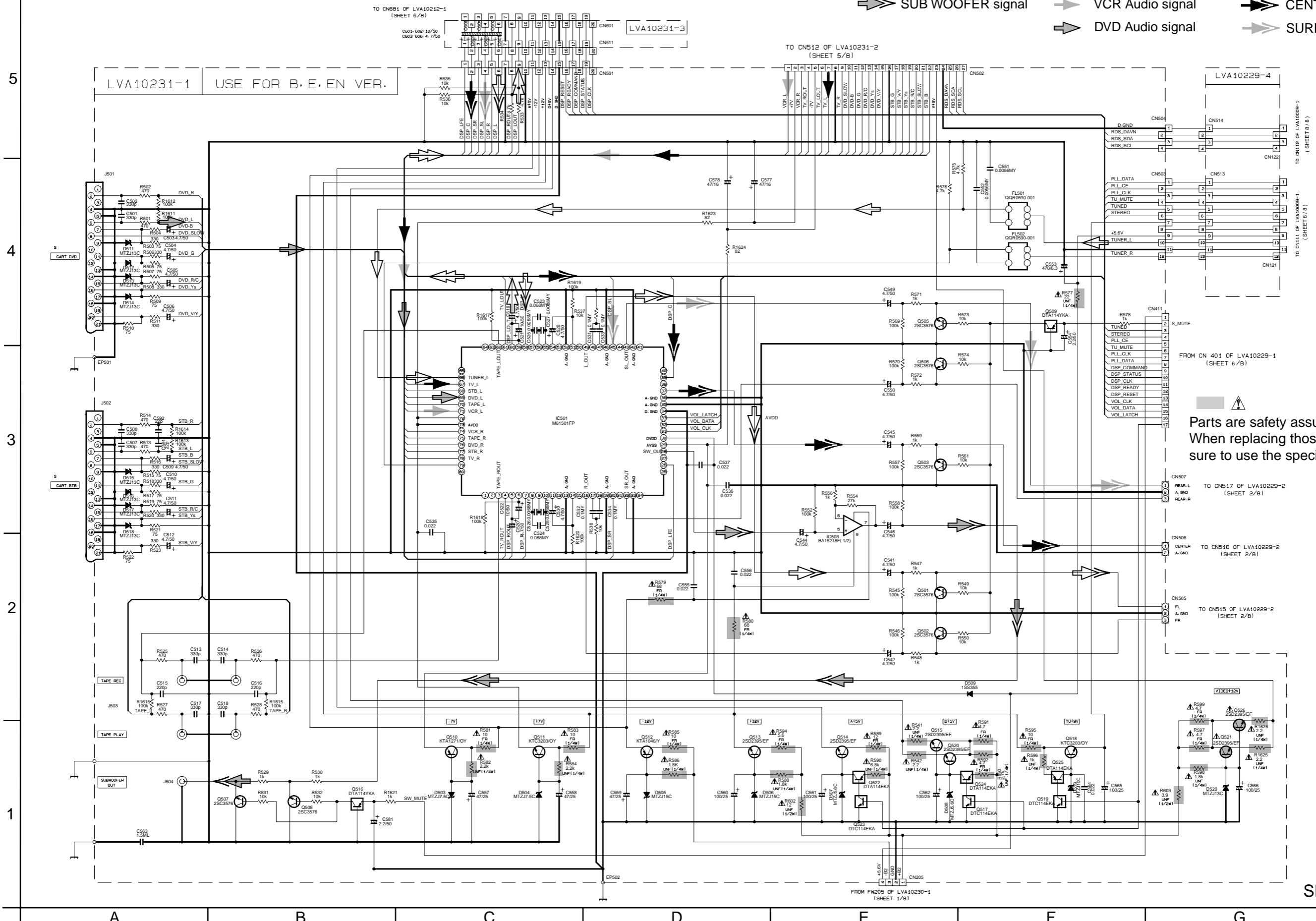
	B-E-EN	J-C		B-E-EN	J-C
R303-304	68k	56k	C311-312	10p	22p
R307-308	2k	3.3k	C811-812	10p	22p
R315-316	120 UNF (1/4W)	330 UNF (1/4W)	C911	10p	22p
R319-320	470 UNF (1/4W)	330 UNF (1/4W)	C303-304	68p	270p
R335-336	82	120	C803-804	68p	270p
R835-836	100	180	C903	68p	270p
R935	100	180	C305-306	220p	100p
R937	100	180	C805-806	220p	100p
C317-318	33/50	2.2/50	C905	220p	100p

- ▶ FRONT signal
- ▶ CENTER signal
- ▶ SURROUND signal

Parts are safety assurance parts. When replacing those parts make sure to use the specified.

■ Audio signal input terminal section

- DSP signal
- TUNER signal
- TV Audio signal
- FRONT signal
- SUB WOOFER signal
- VCR Audio signal
- DVD Audio signal
- CENTER signal
- SURROUND signal



Parts are safety assurance parts.
When replacing those parts make
sure to use the specified.

Video & Audio input terminal section

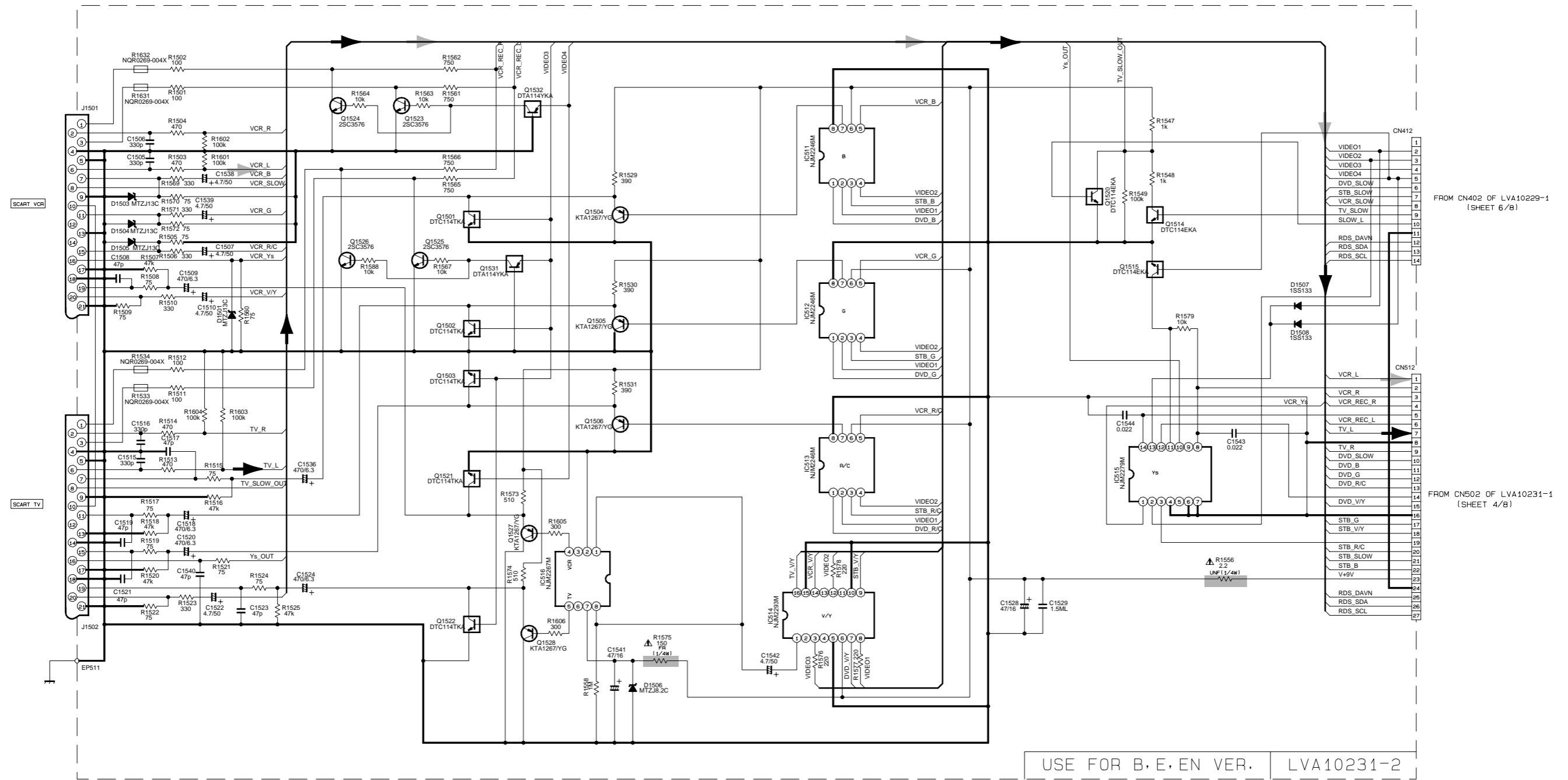
5

4

3

2

1



FROM CN402 OF LVA10229-1 (SHEET 6/8)

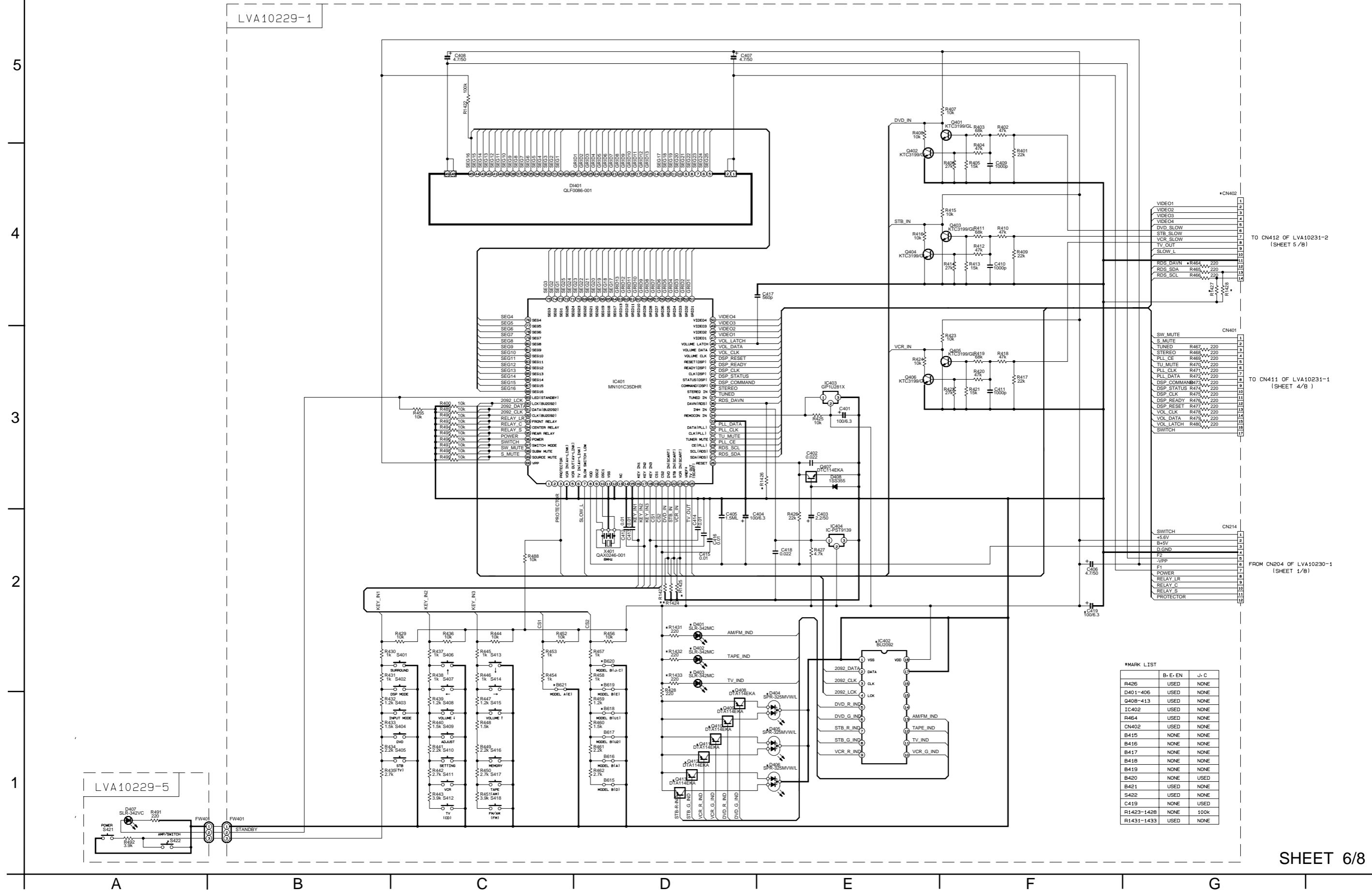
FROM CN502 OF LVA10231-1 (SHEET 4/8)

USE FOR B.E. EN VER. LVA10231-2

⚠ Parts are safety assurance parts. When replacing those parts make sure to use the specified.

➡ TV Audio signal
➡ VCR Audio signal

System control & FL displaying section



LVA10229-1

LVA10229-5

****MARK LIST**

MARK	B-E-N	J-C
R426	USED	NONE
D401-406	USED	NONE
Q408-413	USED	NONE
IC402	USED	NONE
R464	USED	NONE
CN402	USED	NONE
B415	NONE	NONE
B416	NONE	NONE
B417	NONE	NONE
B418	NONE	NONE
B419	NONE	NONE
B420	NONE	USED
B421	USED	NONE
S422	USED	NONE
C419	NONE	USED
R1423-1428	NONE	100K
R1431-1433	USED	NONE

TO CN412 OF LVA10231-2 (SHEET 5/B)

TO CN411 OF LVA10231-1 (SHEET 4/B)

FROM CN204 OF LVA10230-1 (SHEET 1/B)

■ DSP section

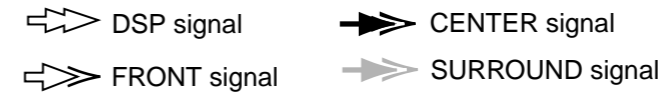
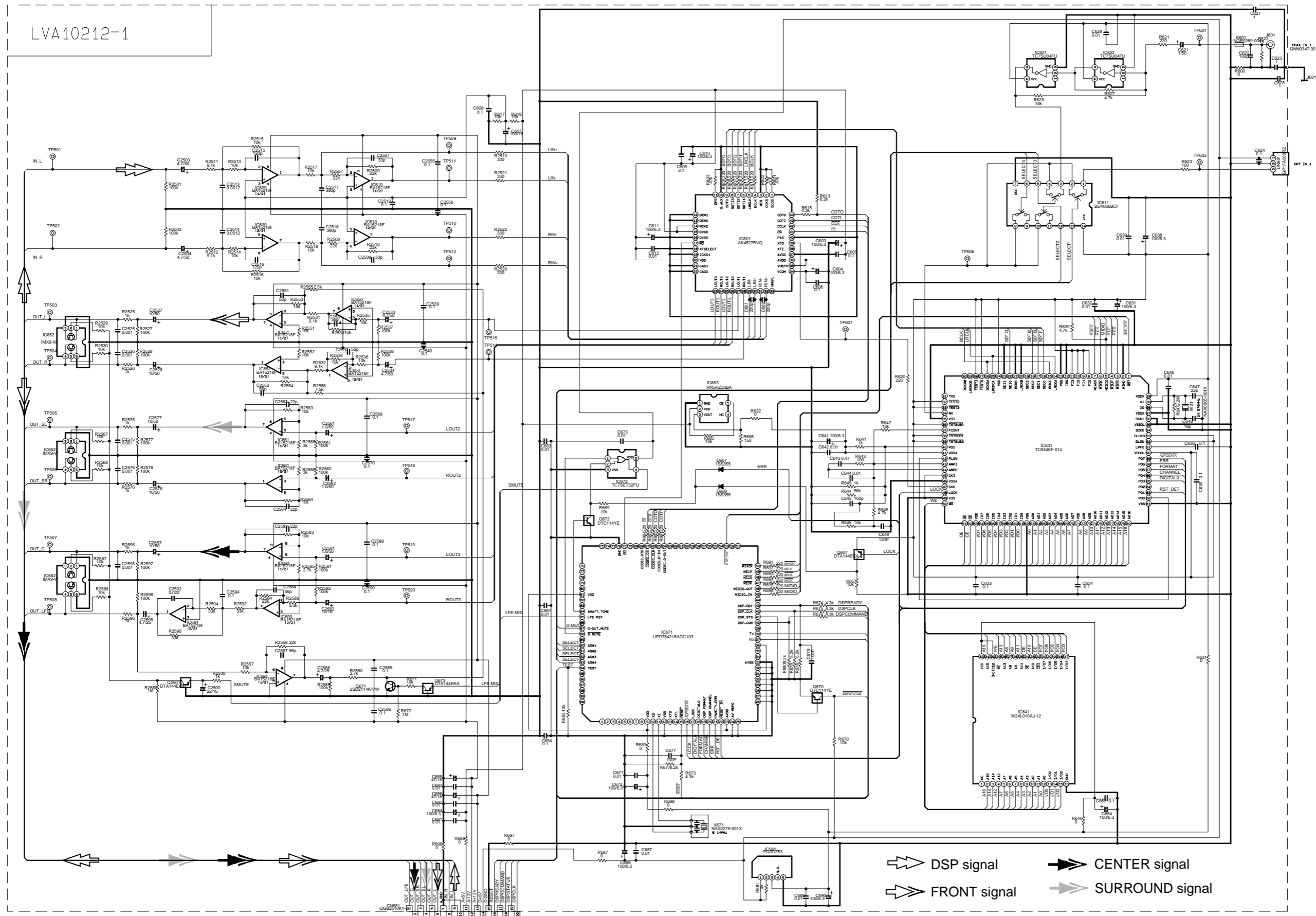
5

4

3

2

1

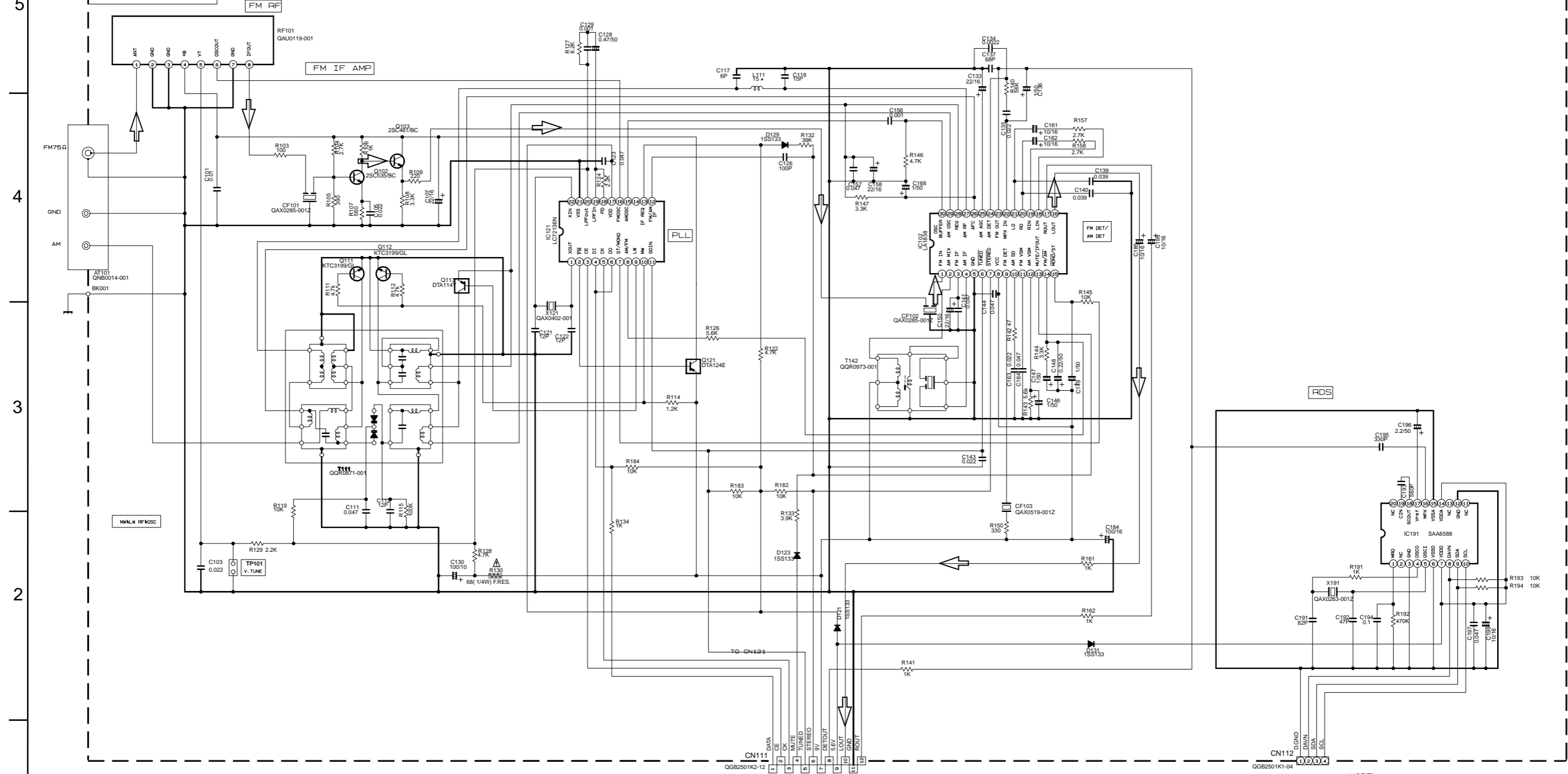


FROM CN501 OF LVA10231-1 (SHEET 4/8)

A B C 2-8 D E F G H

■ Tuner section

FOR E/EN/B (WITH RDS)
LVA10009



5
4
3
2
1

A B C D E F G

TO CN121
(SHEET 4/8)

TO CN122
(SHEET 4/8) MODEL VTU-101RE

▲ Parts are safety assurance parts.
When replacing those parts make
sure to use the specified one.

➡ TUNER signal

Printed circuit boards

■ Main & System control board

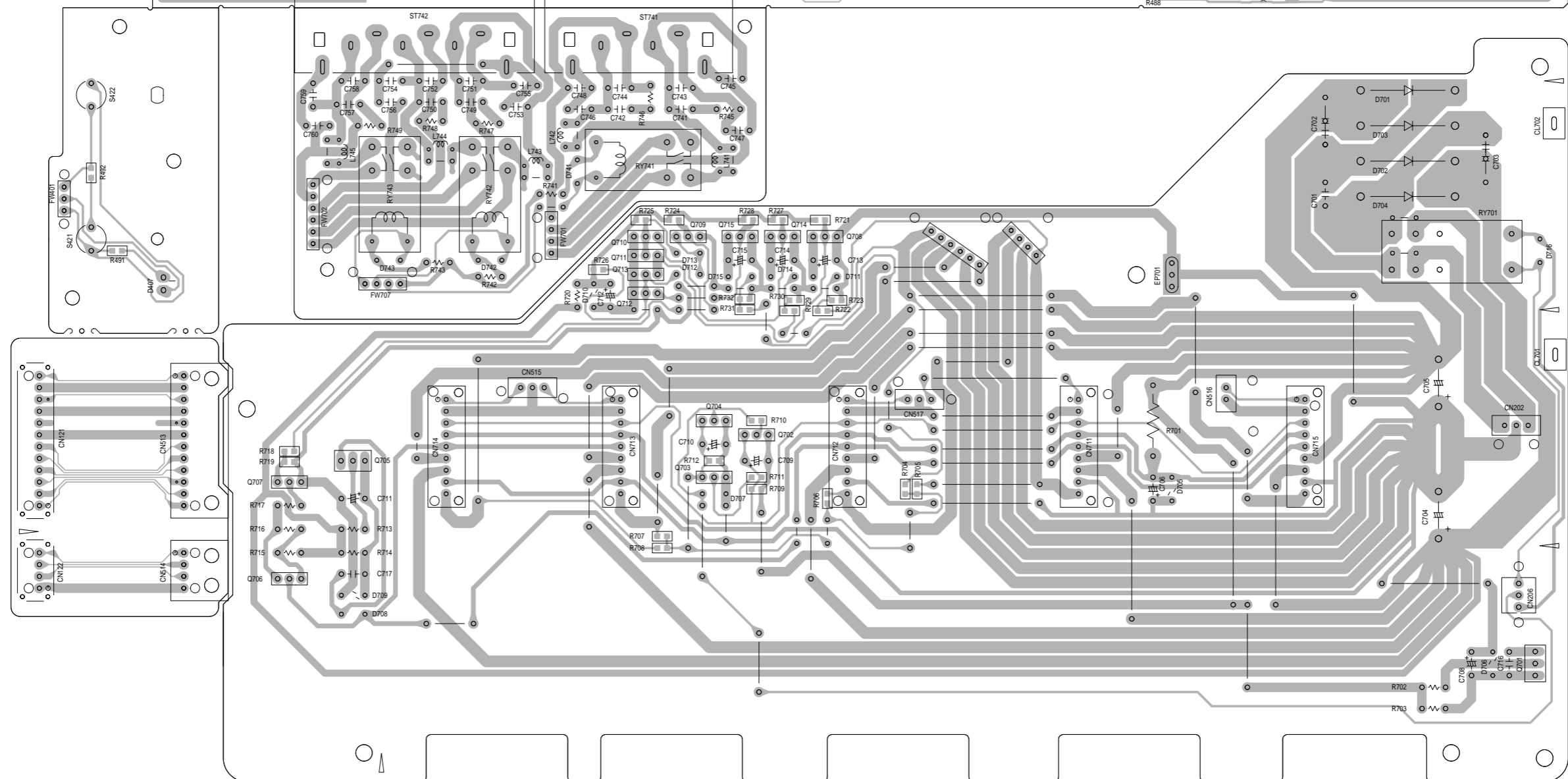
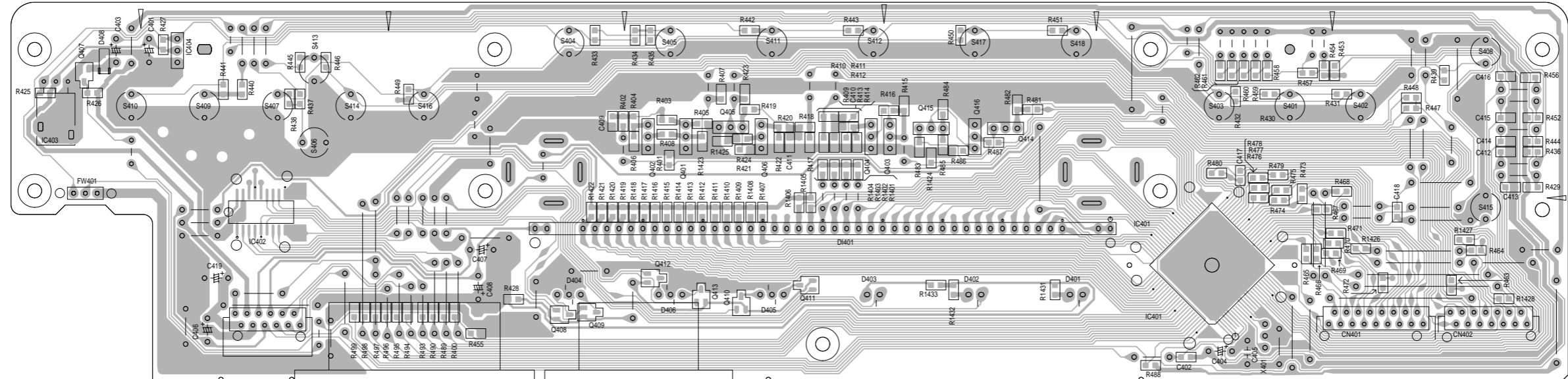
5

4

3

2

1



A | B | C | 2-10 | D | E | F | G | H

■ Audio signal input board

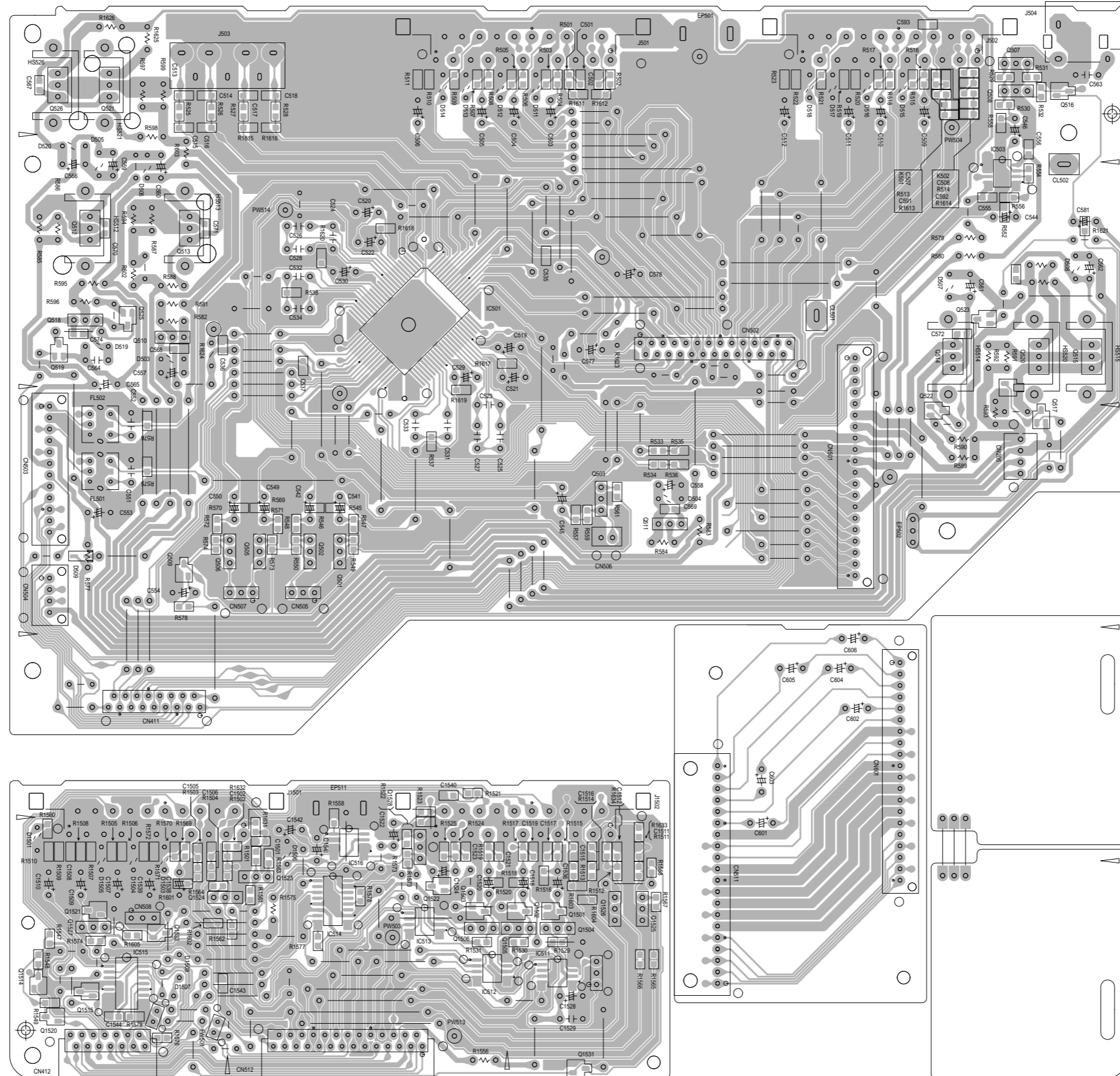
5

4

3

2

1



A

B

C

D

E

F

G

RX-E100RSL/RX-E100RSB

power amp. board

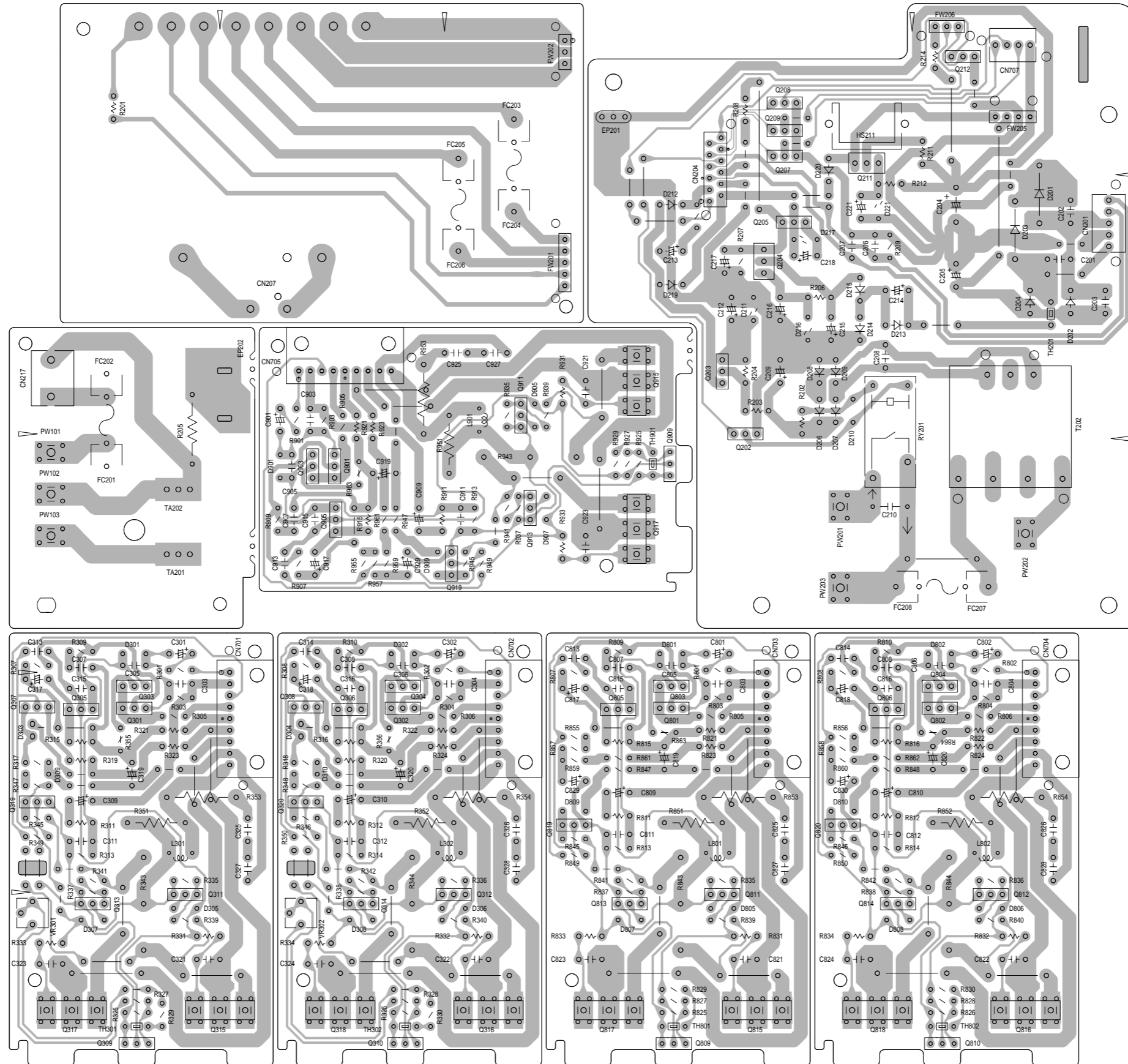
5

4

3

2

1



A

B

C

2-12

D

E

F

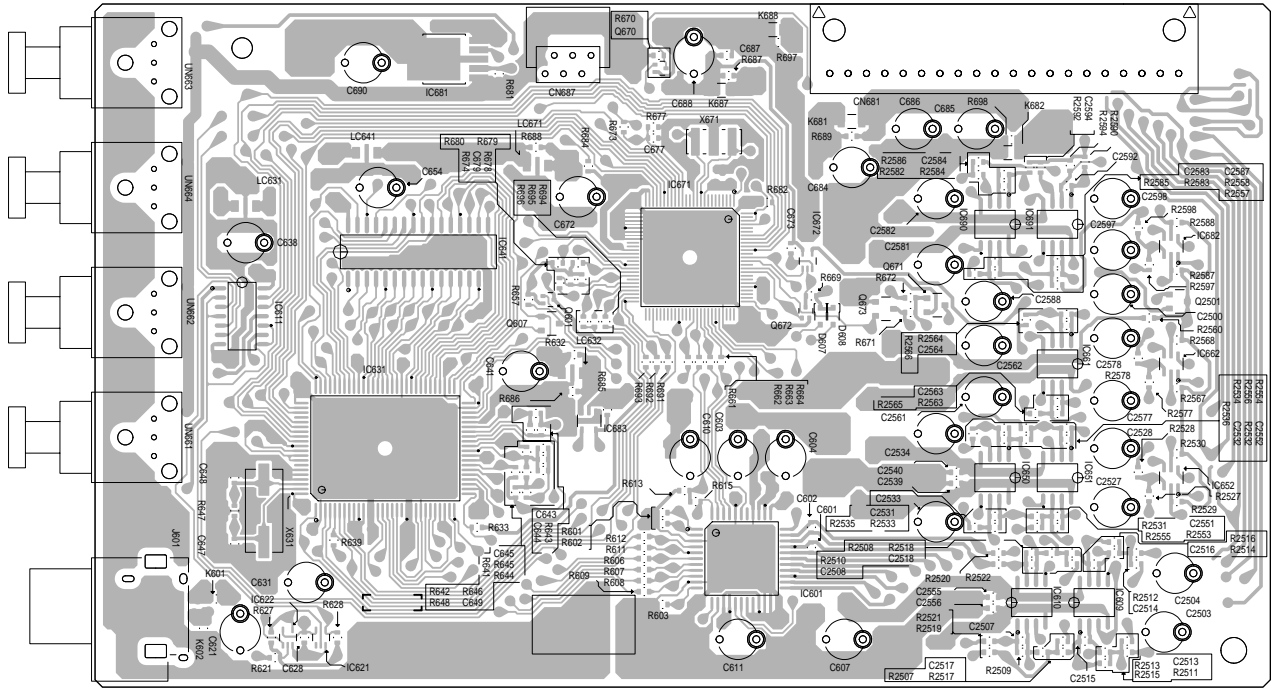
G

H

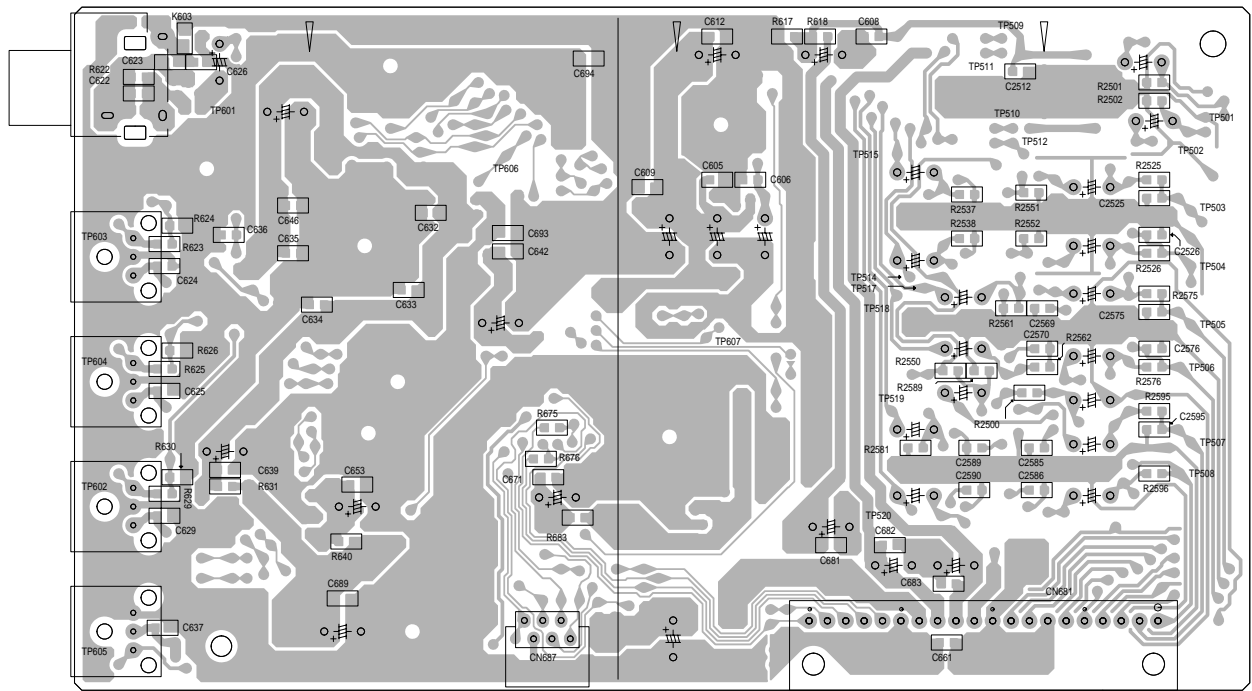
■ DSP board

Forward side

5
4
3
2
1



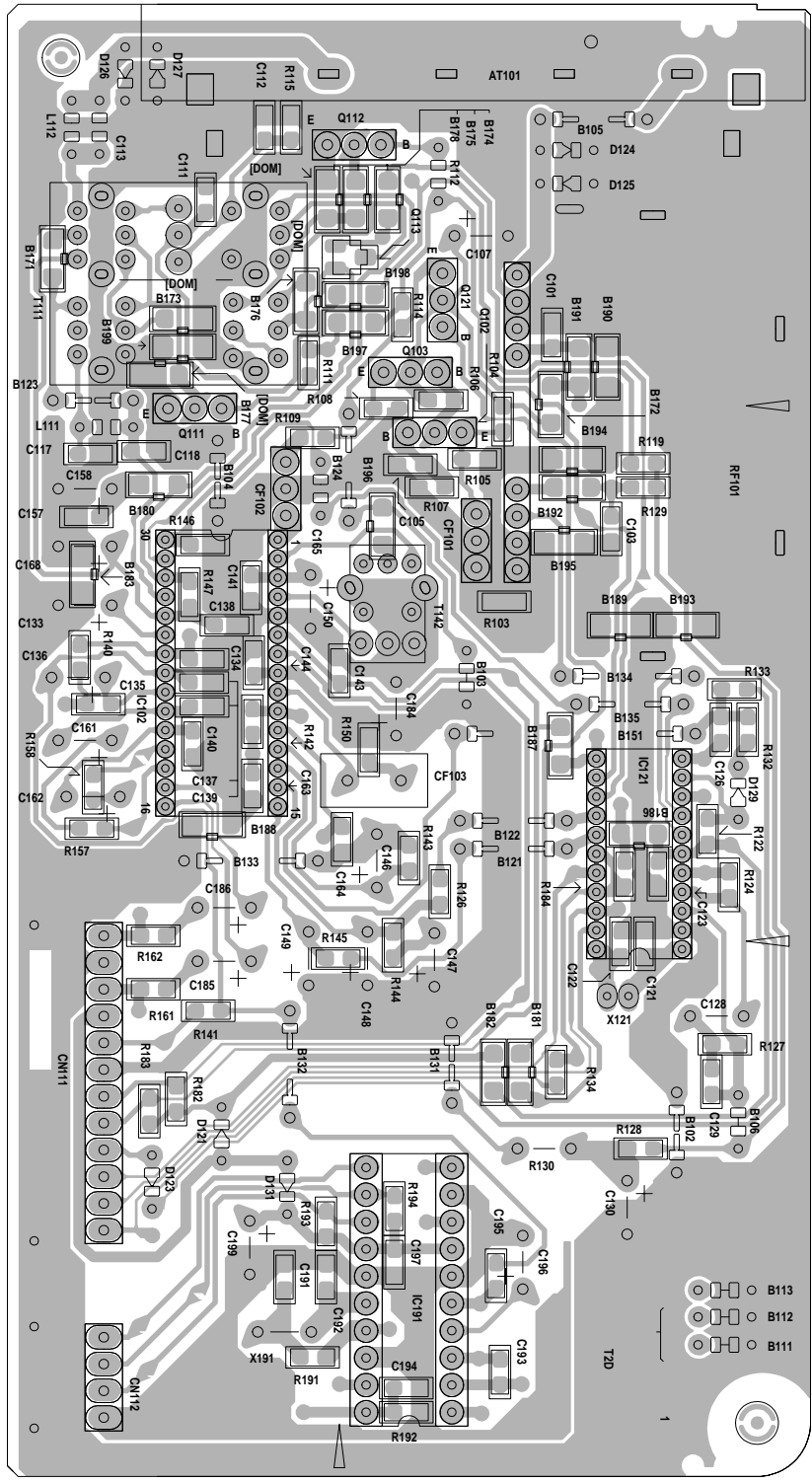
Reverse side



A B C D

■ Tuner board

5
4
3
2
1



A B C D

2-14